



# SBP-160WMW1

Wall Mount



## Key Features

- Material: Body : Aluminum, Cover : Polycarbonate(PC)
- Dimensions: 169.7(W)x118.3(H)x214.8(D)mm(6.68x4.66x8.46"), 696g(1.53lb)
- Weight: 696g(1.53lb)
- Color: White
- Conduit hole: 19.1mm(3/4")(M25)
- ※ Gangbox hole : support single, double, 4" octagon, 4" square

## Compatible Accessories (Optional)



XND-6083RV



XND-C6083RV



XNV-C9083R



XNV-C7083R



XND-C9083RV



XND-C8083RV



XND-9083RV



XNV-C8083R



XND-C7083RV



XNV-C6083R



XND-8083RV

# SBP-160WMW1

Wall Mount



## Specifications

Mechanical	
Color	White
Material	Body : Aluminum Cover : Polycarbonate(PC)
RAL code	RAL9003
Product dimensions / weight	169.7(W)x118.3(H)x214.8(D)mm(6.68x4.66x8.46"), 696g(1.53lb)
Conduit hole	19.1mm(3/4")(M25) ※ Gangbox hole : support single, double, 4" octagon, 4" square
Supported products	XND-C6083RV/C7083RV/C8083RV/C9083RV XND-6083RV/8083RV/9083RV XNV-C6083R/C7083R/C8083R/C9083R PND-A6081RV/A9081RV XNF-9010RV/9013RV, XND-8082RV/9082RV

# SBP-160WMW1

Wall Mount

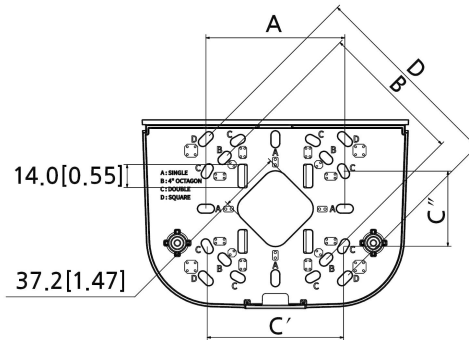
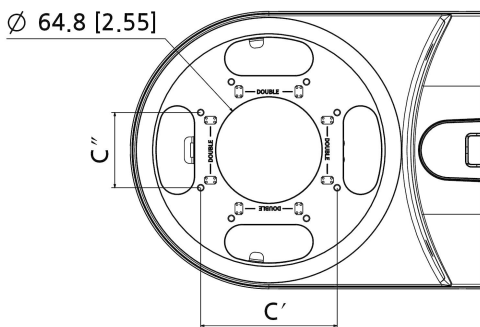
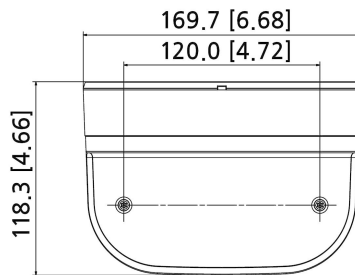
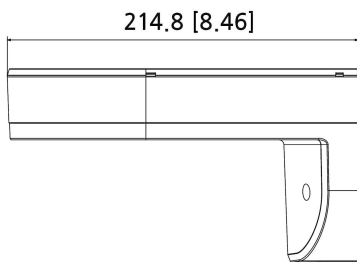
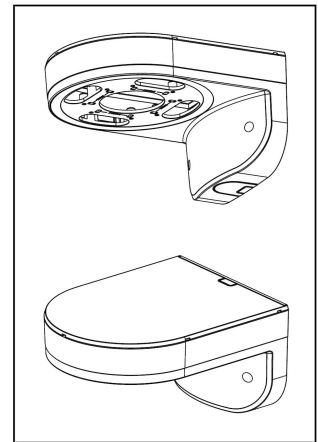


CAD

Unit:mm [inch]

## SBP-160WMW1 Wall & Pole Mount

Reference image



STANDARD GANG		
A	SINGLE	83.5 [3.29]
B	4"OCTAGON	88.0[3.46]
C' C''	DOUBLE	83.5 [3.29] X 46.0 [1.81]
D	SQUARE	120.2 [4.73]

Revision	V1.1
Revision Date	24/08/07
Paper Size	A1
Unit	mm [inch]
Scale	1:1

©Hanwha Vision Co., Ltd. All right reserved.